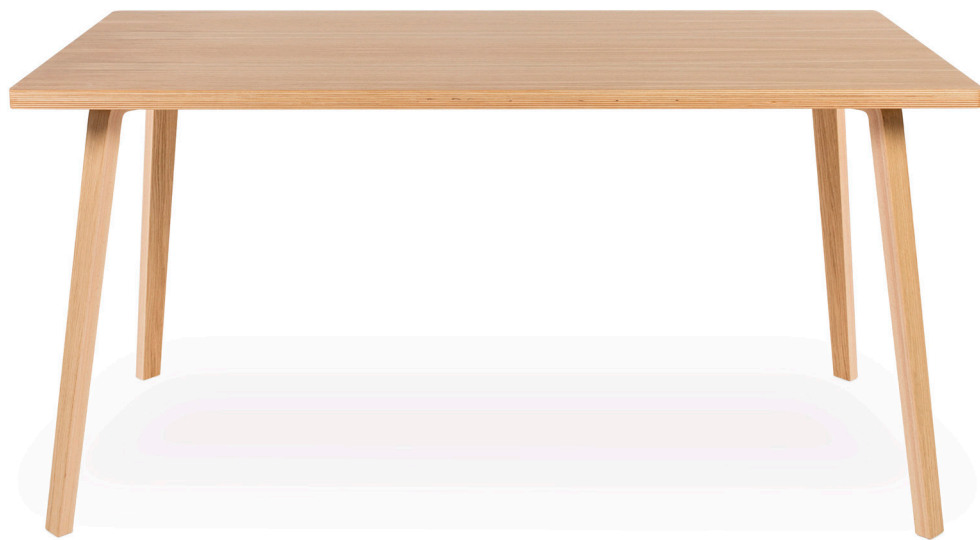


Technical specifications  
(1/5)

# Gràcia table

By JM Massana - JM Tremoleda

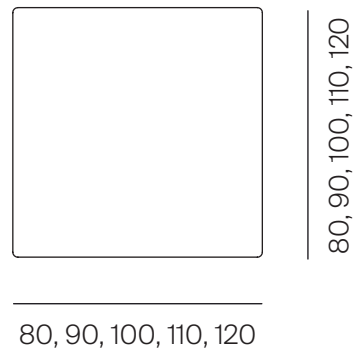
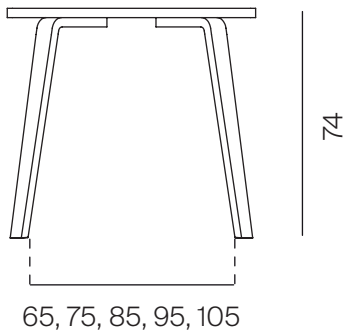


**Mobles114**

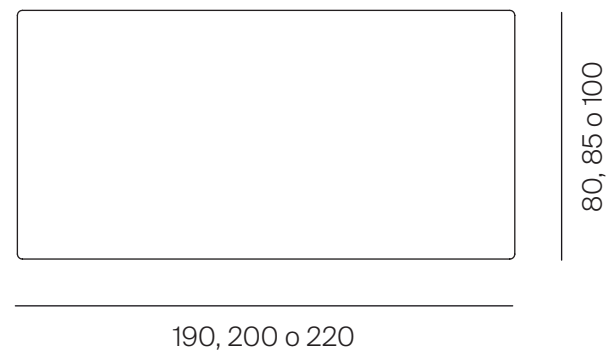
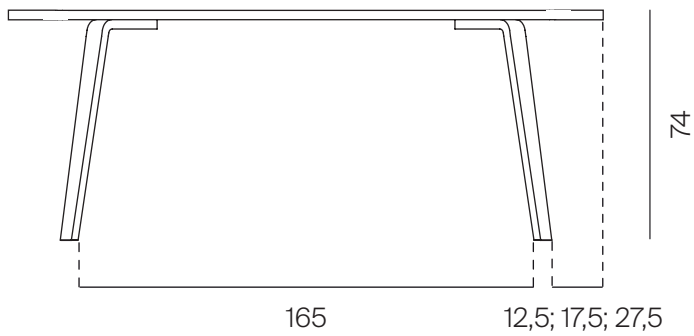
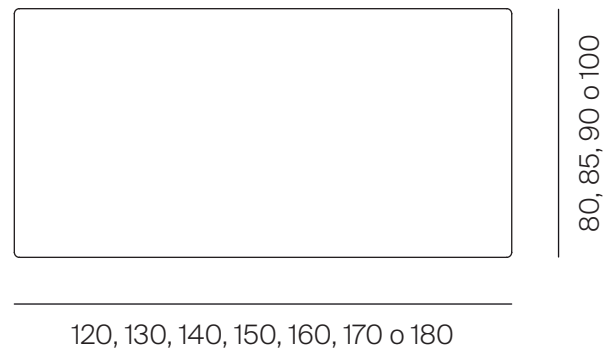
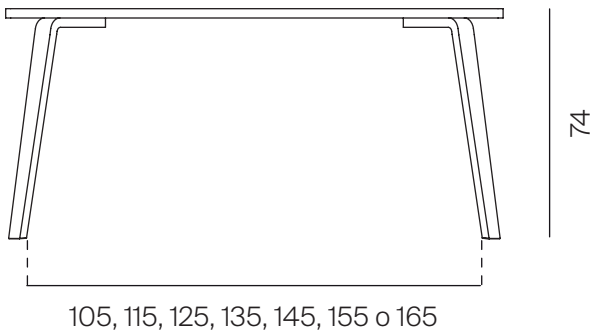
# Technical specifications

(2/5)

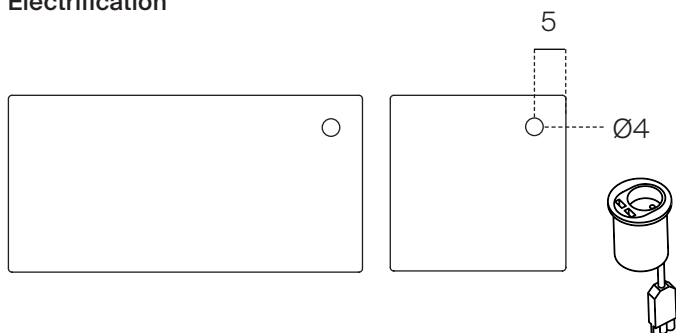
## Square table



## Rectangular table



## Electrification



\*Metric unit cm

# Technical specifications

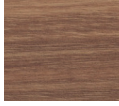
(3/5)

## MATERIALS

### Wood



Oak



Walnut

---

## PRODUCT

	<b>Weight</b>
Table 80x80x74	10,6 kg
Table 90x90x74	12,8 kg
Table 100x100x74	15,3 kg
Table 110x110x74	18,0 kg
Table 120x120x74	20,9 kg
Table 120x80x74	14,7 kg
Table 130x80x74	15,7 kg
Table 140x80x74	16,8 kg
Table 150x80x74	17,9 kg
Table 160x80x74	19,0 kg
Table 170x80x74	20,1 kg
Table 180x80x74	21,5 kg
Table 120x85x74	15,4 kg
Table 140x85x74	17,3 kg
Table 150x85x74	18,4 kg
Table 160x85x74	19,6 kg
Table 170x85x74	20,7 kg
Table 120x90x74	16,2 kg
Table 130x90x74	17,3 kg
Table 140x90x74	18,5 kg
Table 150x90x74	19,7 kg
Table 160x90x74	20,9 kg

---

# Technical specifications

(4/5)

---

## PACKAGING

	Weight	Dimensions	Volume
Legs	5 kg	89x37x11 cm	0,28 m <sup>3</sup>
Table top 80x80	10,6 kg	98x98x5 cm	0,50 m <sup>3</sup>
Table top 90x90	12,8 kg	108x108x5 cm	0,06 m <sup>3</sup>
Table top 100x100	15,3 kg	118x118x5 cm	0,07 m <sup>3</sup>
Table top 110x110	18,0 kg	128x128x5 cm	0,08 m <sup>3</sup>
Table top 120x120	20,9 kg	138x138x5 cm	0,1 m <sup>3</sup>
Table top 120x80	14,7 kg	136x98x5 cm	0,07 m <sup>3</sup>
Table top 130x80	15,7 kg	146x98x5 cm	0,07 m <sup>3</sup>
Table top 140x80	16,8 kg	156x98x5 cm	0,08 m <sup>3</sup>
Table top 150x80	17,9 kg	166x98x5 cm	0,08 m <sup>3</sup>
Table top 160x80	19,0 kg	176x98x5 cm	0,09 m <sup>3</sup>
Table top 170x80	20,1 kg	186x98x5 cm	0,09 m <sup>3</sup>
Table top 180x80	21,5 kg	198x98x5 cm	0,1 m <sup>3</sup>
Table top 120x85	15,4 kg	136x103x5 cm	0,07 m <sup>3</sup>
Table top 140x85	17,3 kg	156x101x5 cm	0,08 m <sup>3</sup>
Table top 150x85	18,4 kg	166x101x5 cm	0,08 m <sup>3</sup>
Table top 160x85	19,6 kg	176x101x5 cm	0,09 m <sup>3</sup>
Table top 170x85	20,7 kg	186x101x5 cm	0,09 m <sup>3</sup>
Table top 120x90	16,2 kg	136x108x5 cm	0,7 m <sup>3</sup>
Table top 130x90	17,3 kg	146x108x5 cm	0,8 m <sup>3</sup>
Table top 140x90	18,5 kg	156x108x5 cm	0,8 m <sup>3</sup>
Table top 150x90	19,7 kg	166x108x5 cm	0,9 m <sup>3</sup>
Table top 160x90	20,9 kg	176x108x5 cm	0,1 m <sup>3</sup>

The table is shipped in 2 packages: legs and table top. All packaging is of recyclable double cardboard.

---

# Technical specifications

(5/5)

## CERTIFICATIONS AND REGULATIONS

**Wood:** PEFC 10-34-142

## MATERIALS AND FINISHES

### Legs

Curved natural wood leg, 30mm thick and 60mm wide at the top and 45mm at the bottom. Its interior is made up of 1.2 mm thick beech slats and the outer slats are 0.6 mm oak or walnut.

### Table top

The top is made of 30 mm Wisa-Birch board, thick and is veneered with natural oak or walnut wood (same finish as the legs). The edges are seen with rounded edges. All envelopes are machined and incorporate 4 M6 inserts per leg, to fix them with an allen screw to the top.

**Note:** Due to the fact that the wood used is natural, the finish may vary in colour, tone and drawing.

## MAINTENANCE

Clean with a damp cloth with mild soap and water. Rinse and dry with a dry cloth. Avoid using abrasive products.