

Technical specifications
(1/5)

Gràcia pala

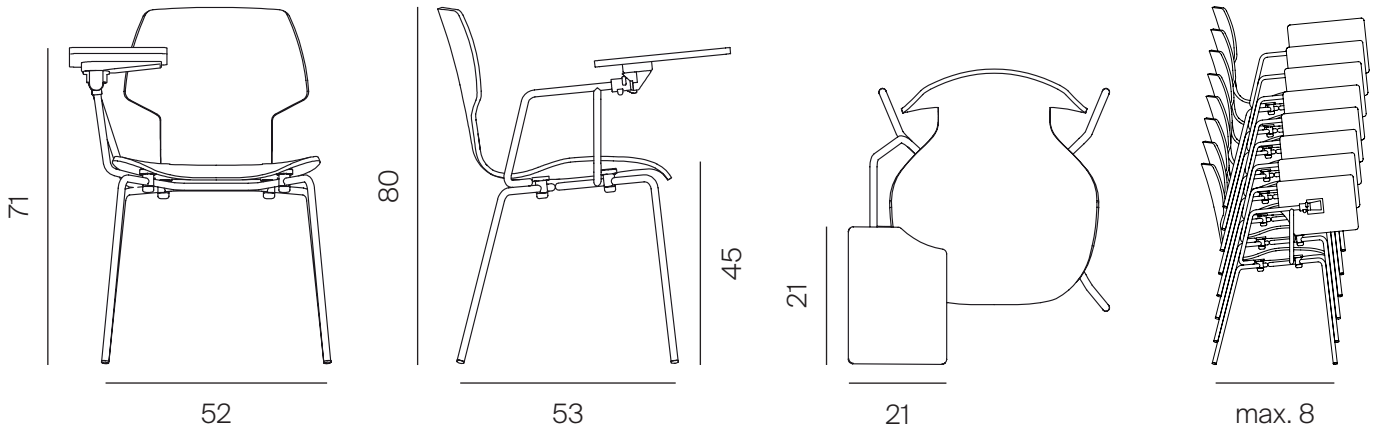
By JM Massana - JMTremoleda



Mobles114

Technical specifications

(2/5)



*Metric unit cm

PRODUCTO

Units	Weight
1	5,5 kg

PACKAGING

Units	Weight	Dimensions	Volume
1	8,5 kg	66x56x96 cm	0,35 m ³

The chair is supplied assembled in a single packaging. | All packaging is double recyclable cardboard

MATERIALS AND COLORS

Structure (steel)



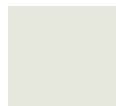
RAL 9002 RAL 9004 Chrome plated

Seat (wood)



Oak Walnut

Table (HPL)



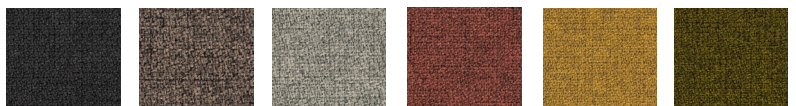
RAL 9002

Cushion (polyurethane)



RAL 9002 RAL 7022 RAL 6003 RAL 2001

Cushion (upholstered)



Dark Grey 60021 Brown 61103 Light Grey 61104 Terracotta 61151 Mustard 62057 Green 68165

Technical specifications

(3/5)

CERTIFICATIONS AND REGULATIONS

Fire retardant: UNE-EN 1021-1 and UNE-EN 1021-2

Resistance in public use: UNE-EN 15373:07

Resistance in domestic use: UNE-EN 1728:01

Wood: Forest Stewardship Council (FSC)

MATERIALS AND FINISHES

Structure

Structure made up of 2 curved section steel tubes 16x2mm. Front legs and rear legs are welded between them by the central area, giving the whole the resistance necessary. The shovel arm is made of the same tube, it is welded to the right or left depending on the model of the chair. Structure finished in shiny chrome or in 80 micron epoxy powder paint, 30% matt, textured in white RAL 9002 or black RAL 9004.

The 4 ground support points are protected with stops plastic in the same color as the structure.

Pala

The writing support is made of compact white HPL laminate with a black 8 mm thick core. The blade turning mechanism is a standard part that is fixed to the structure. It has an unfriendly system, which allows you to get out of the chair easily.

Seat

Shell made of curved wood made up of 9 beech sheets of 1.2 mm thickness on the inside, and 2 oak or walnut sheets of 0.6 mm on the outside. All of them opposed and adhered add up to a total of 12 mm thick. Finished with water-based varnish. The lower part of the seat includes 4 M5 inserts, to be able to insert the fastening parts of the structure.

Anchoring pieces

The shell and legs are attached with a set of anchors.
Anchor base: has the function of covering the threaded insert protruding from the seat shell.

Anchorage: Fixes the structure with the casing. This piece is attached to the insert with a zinc plated DIN7380 M5X16 allen screw.

Elements made of polyamide PA6 finished in white RAL 9002 or black RAL 9004.

Folding chair (Max. 8)

ACCESSORIES

Cushion

Optionally, it can carry a cushion made of injected polyurethane foam (PUR). In order for it to be correctly positioned, this piece is fixed to the chair with cyanoacrylate glue.

The cushion is available in different colours: RAL 7022 anthracite grey, RAL 6003 green, RAL 9002 white or RAL 2001 orange, or upholstered with the different fabrics from the Mobles114 catalogue.

TELA Gabriel Cura

Technical specifications:

Material: Post - costumer recycled polyester · polyester 98% · 2%
Weight: 420 g/lm · (13.55 oz/lin.yd.)

Width: 140 cm · (55")

Abrasion resistance: Rubs · BS EN 14465 · BS EN ISO 12947-2 (Martindale) 100,000. Double rubs wyzenbeek (ASTM D4157) (Heavy Duty Upholstery) 100,000

Pilling: Scale 1-5 max. 5 · EN ISO 12945-2

Maintenance: Wash or dry cleaning. Flame retardant performance is dependent upon the foam used. Contain no Flame Retardant chemical.

Flammability: EN 1021 1&2 · BS 5852 0&1 · CA TB 117 - 2013

Will also pass other flammability standards.

40°C · Shrinkage max. 1,0%

60°C · Shrinkage max. 2,0%

TELA Spardling Valencia

Technical specifications:

Material: Vinyl / Urethane

Weight: 650 g/m²

Width: 137 cm · (53")

Abrasion resistance: >300.000 cycled (Martindale)

Pilling: Scale 1-5 max. 5 · EN ISO 12945 - 2

Maintenance: For light soiling, a solution of 10% household liquid dishsoap in warm water, applied with a soft damp cloth. Rinse with clean water and dry. Do not use with alcohol based cleaning agents.

Flammability: EN: 1021 1&2 · ES: UNE 23.727-90 1R/M.2 · FR: NF P 92-503/M2 DE: DIN 4102 B2 · AT: ÖNORM B 3825, Gruppe 1 - Schwerbrennbares IT: UNI 9175 (1987) / UNI 9175/FA1 (1994) Classe 1.IM (UNO I EMME) AT: ÖNORM A 3800 Teil 1, Qualmbildungsklasse Q1 - schwachqualmend IMO FTP 2010 Code MSC.307 (88) Part 8 3.1 & 3.2 · US: FMVSS 302 US: FAR 25/853 · ECE R118.02 (replaces Directive 95/28/CE) 6, 7 & 8 EN 71-2:2006+A1:2007 - Safety of Toys - Parte 2: Flammability

Technical specifications

(4/5)

TELA Gabriel Step

Technical specifications:

Material: Trevira CS 100%

Weight: 470 g/lm · (15.16 oz/lin.yd.)

Width: 140 cm · (55")

Abrasion resistance: Rubs · EN ISO 12947-2 (Martindale) 100,000

Double rubs wyzenbeek (ASTM D4157-07) (Heavy duty upholstery) 100,000.

Pilling: Scale 1-5 max. 5 · EN ISO 12945 - 2

Maintenance: Wash or dry cleaning. Can be wiped with Virkon S, Actichlor Plus, Prime Source ren 93 or Ethanol (70-85%). Always follow the manufacturer's instructions and finish by wiping with a damp cloth. 60°C · Shrinkage max. 3,0% / 74°C · Shrinkage max. 5,0%

Flammability: CA TB 117 - 2013 BS 7176 Medium Hazard. AM 18 - NF D 60-013-(only for fabric) · DIN 4102 B1 · NFP 92-503/504/505 M1. BS EN 1021 1&2 · BS 5852 Part 1 0,1 Cigarette & match · BS 5852 Crib 5. Class Uno UNI 9175 Class 1 | EMME · ÖNORM B 3825 - B1 - 3800 - Q1 UK. FAR/JAR 25.853 (a) (i) (ii) · IMO MSC 307(88) Anne x 1 part 8. MED Certificate IMO · DIN EN 13501 - 1 B-s1, d0.

Will also pass other flammability standards. Flame retardant performance is dependent upon the foam used.

TELA Gabriel Step Melange

Technical specifications:

Material: Trevira CS 100%

Weight: 470 g/lm · (15.16 oz/lin.yd.)

Width: 140 cm · (55")

Abrasion resistance: Rubs · EN ISO 12947-2 (Martindale) 100,000

Double rubs wyzenbeek (ASTM D4157-07) (Heavy duty upholstery) 100,000.

Pilling: Scale 1-5 max. 5 · EN ISO 12945 - 2

Maintenance: Wash or dry cleaning. Can be wiped with Virkon S, Actichlor Plus, Prime Source ren 93 or Ethanol (70-85%). Always follow the manufacturer's instructions and finish by wiping with a damp cloth. 60°C · Shrinkage max. 3,0% / 74°C · Shrinkage max. 5,0%

Flammability: CA TB 117 - 2013 BS 7176 Medium Hazard. AM 18 - NF D 60-013-(only for fabric) · DIN 4102 B1 · NFP 92-503/504/505 M1. BS EN 1021 1&2 · BS 5852 Part 1 0,1 Cigarette & match · BS 5852 Crib 5. Class Uno UNI 9175 Class 1 | EMME · ÖNORM B 3825 - B1 - 3800 - Q1 UK. FAR/JAR 25.853 (a) (i) (ii) · IMO MSC 307(88) Anne x 1 part 8. MED Certificate IMO · DIN EN 13501 - 1 B-s1, d0.

Will also pass other flammability standards. Flame retardant performance is dependent upon the foam used.

TELA Gabriel Capture

Technical specifications:

Material: New Zealand wool · polyamide 85% · 15%

Weight: 475 g/lm 3 (15.32 oz/lin.yd.)

Width: 140 cm · (55")

Abrasion resistance: Rubs · BS EN 14465 · BS EN ISO 12947 - 2 (Martindale) rubs 200,000. Martindale · ASTM D4966 - 02 (Heavy Duty Upholstery) 200,000

Pilling: Scale 1-5 max. 5 · EN ISO 12945 - 2

Maintenance: Dry cleaning

Flammability: EN 1021 1&2 · BS 5852 0&1 · CA TB 117 - 2013. Class Uno UNI 9175 Class 1 | EMME

Will also pass other flammability standards. Flame retardant performance is dependent upon the foam used. Contain no Flame Retardant chemical.

TELA Kvadrat Remix 2

Technical specifications:

Material: New wool · Nylon 90% · 10%

Weight: 415 g/lm · (14.63 oz/lin.yd.)

Width: 138 cm · (54")

Abrasion resistance: Rubs · EN ISO 12947 (Martindale) 100.000

Pilling: Note 4, EN ISO 12945

Maintenance: Vacuuming and dry cleaning

Flammability: AS/NZS 1530.3 · BS 5852 Crib 5 with treatment · BS 5852 part 1. EN 1021-1/2 · IMO FTP Code 2010: Part 8 · NF D 60 013 · NFPA 260. Önorm B1/Q1 · UNI 9175 1IM · US Cal. Bull. 117-2013.

No use of brominated flame retardants.

TELA Kvadrat Divina Melange

Technical specifications:

Material: New wool 100%

Weight: 820 g/lin.m

Width: 150 cm · (59")

Abrasion resistance: Rubs · EN ISO 12947 (Martindale) 45.000

Pilling: Note 3, EN ISO 12945

Maintenance: Vacuuming and dry cleaning

Flammability: AS/NZS 1530.3, BS 5852 Crib 5, BS 5852 ignition source 3, BS 5852 part 1, BS 5867 part 2 type B, EN 1021-1/2, EN 13501, C-s1, d0, glued, NF D 60 013, NFPA 260, SN 198 898 5.3 with treatment *, UNI 9175 1IM, US Cal. Bull. 117-2013, ÖNORM B1/Q1

TELA Kvadrat Steelcut Trio 3

Technical specifications:

Material: New wool · Nylon 90% · 10%

Weight: 770 g/lm · (27,16 oz/lin.yd.)

Width: 140 cm · (55")

Abrasion resistance: rubs · EN ISO 12947 (Martindale) 100.000

Pilling: Note 4, EN ISO 12945

Maintenance: Vacuuming and dry cleaning

Flammability: AS/NZS 1530.3 · AS/NZS 3837 class 2 · BS 5852 Crib 5 with treatment BS 5852 part 1 · DIN 4102 B2 · EN 1021-1/2 · IMO FTP Code 2010: Part 8 NF D 60 013 · NFPA 260 · Önorm B1/Q1 · SN 198 898 5.3 with treatment UNI 9175 1IM · US Cal. Bull. 117-2013

No use of brominated flameretardants

Technical specifications

(5/5)

Joint clamp

Union clamp between chairs made of polypropylene (PP).

Platform for transporting chairs

Steel platform to transport 8 stackable chairs. General measurements: 540x540x140 mm (wheels included).

Structure made of 4 steel plates, section L 45x2 mm thick, welded together.

On the 4 edges, 4 bushings are welded, also made of 22 mm diameter steel. Internally they are machined with M10 thread, to position the wheels. Standard wheels with a diameter of 50 mm. They support a maximum load of 48 kg per wheel.

The base of the platform is made of 8 mm thick HPL (High Pressure Laminate), with great resistance, durability and homogeneity. Finished in white RAL 9002.

MAINTENANCE

Clean with a damp cloth with mild soap and water. Rinse and dry with a dry cloth. Avoid using abrasive products.