

GREEN ECO

by Javier Mariscal

Mobles114

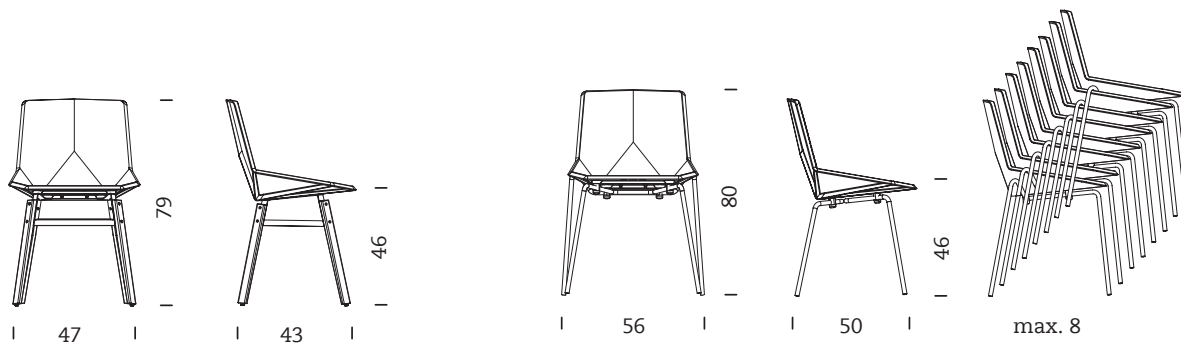
Technical specifications (1/3)



GENERAL DESCRIPTION

The Green chair is a project committed to improving quality of life and to preserving the environment. Chair designed for the office, restaurants, libraries, group facilities and the home.

DIMENSIONS



MODELS

Green eco wood

Green eco metal

MATERIALS AND FINISHES

The chair is available in two frame versions (wood and steel) and two seat finishes (dark grey RAL 9004 and grey/beige RAL 7006).

GREEN ECO

by Javier Mariscal

Mobles114

Technical specifications (2/3)

Wood frame

Made from a series of steel 25x4 mm plates welded together. Frame finished with a fusion bonded epoxy coating, 80 microns, 30% matt, dark grey RAL 9004 (dark grey seat) or grey/beige RAL 7044 (grey/beige seat).

Four solid beech feet finished with colourless water-based varnish are attached to the frame using 8 screws DIN7380 of M6x25 and M6x30 (supplied with wood glue application).

The unit is attached to the body using 4 zinc-plated iron screws, white.

Stackable frame

Made up of 2 curved steel tubes 16x2 mm in diameter (front and back feet), welded together at the centre, giving the chair the required resistance.

Frame finished with a fusion bonded epoxy coating, 80 microns, 30% matt, dark grey RAL 9004 (dark grey seat) or grey/beige RAL 7044 (grey/beige seat).

4 plastic ferrules, colour RAL 9004 or RAL 7044, designed for this model of chair, attach the body to the frame. These bumpers also ensure the chairs remain separate when stacked to prevent scratching.

The 4 points that come into contact with the ground are protected with plastic ferrules in the same colour as the frame.

Seat

The chair's seat is made from injected polypropylene, using recycled industrial material.

Its typically anatomical shape makes it ergonomic and comfortable.

Hardwearing, elastic seat that is reinforced with spines at the back and underneath. For outdoor use, the seat has a hole in the centre to drain off rainwater.

UV filter for outdoor application.

END OF LIFE

The Green chair has been designed following the ISO 14006 Ecodesign Management System, reducing its environmental impact by 65.7% compared with similar chairs on the market.

PACKAGING, WEIGHT AND VOLUME

The chair is supplied unassembled with 2 units per box.

Wooden

Boxes of 2 units

Weight: 11.5 kg

Dimensions: 50x50x71,5 cm

Volume: 0.18 m³

Metal

Boxes of 2 units

Weight: 10 kg

Dimensions: 55x55x55 cm

Volume: 0.17 m³

All packaging is made from recyclable double layer cardboard.

GREEN ECO

by Javier Mariscal

Technical specifications (3/3)

Mobles114

CERTIFICATES AND REGULATIONS

Green eco wood

UNE EN 15373:07 - Level 3 severe public use

UNE EN 1728-01; FSC; Flame Retardancy: UNE EN 1021-1-2:06

Green eco metal

Indoor: UNE EN 1728:01; UNE EN15373:07, Level 3 severe public use

Outdoor: UNE EN 581-1:06; UNE EN 581:2 - public use

Flame Retardancy: UNE EN 1021-1-2:06