

Fitxa tècnica
(1/4)

OM Textil

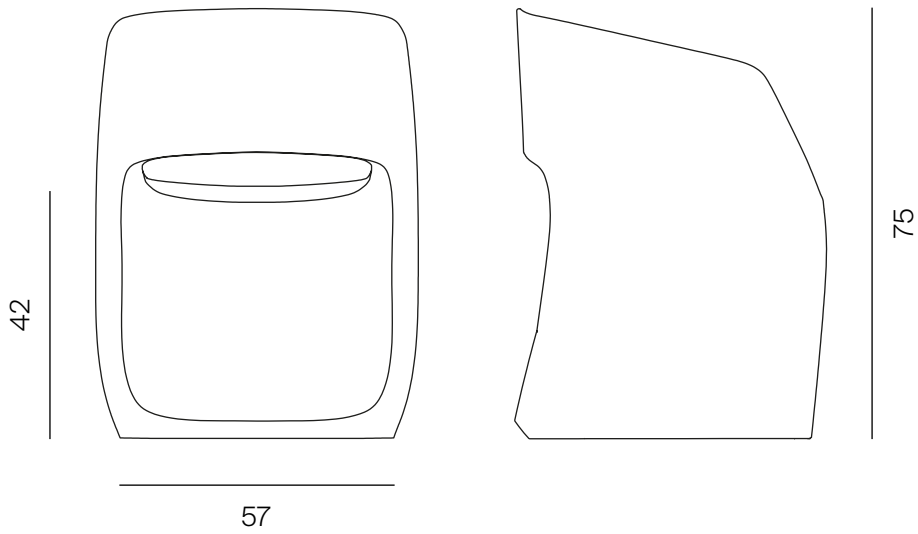
By Martín Azúa



Mobles114

Fitxa tècnica

(2/4)



*Unitat mètrica cm

PRODUCTE

| Unitats | Pes |
|---------|--------|
| 1 | 8,5 kg |

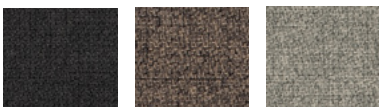
EMBALATGE

| Unitats | Pes | Dimensions | Volum |
|---------|-------|-------------|---------------------|
| 1 | 14 kg | 57x63x85 cm | 0,30 m ³ |

Tots els embalatges són de cartró doble reciclable.

MATERIALS I COLORS

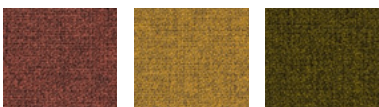
Seient (polietilè entapissat)



Gris fosc
60021

Marró
61103

Gris clar
61104



Terracota
61151

Mostassa
62057

Verd
68165

Fitxa tècnica

(3/4)

CERTIFICACIONS I NORMATIVES

Ignifugidat: UNEIX EN 1021-1 i UNEIX

MATERIALS I ACABATS

Estructura fabricada amb polietilè tipus ICORENE 3590 de densitat mitjana, fabricat amb la tècnica del rotomoldeig. Interiorment es recobreix amb escuma foamisada ignífuga de 15 mm.

La funda final està fabricada amb diferents teixits del catàleg Mobles114, amb un tancament de cremallera oculta.

TELA Gabriel Cura

Característiques tècniques:

Material: Post - costumer recycled polyester · polyester 98% · 2%

Weight: 420 g/lm · (13.55 oz/lin.yd.)

Width: 140 cm · (55")

Abrasion resistance: Rubs · BS EN 14465 · BS EN ISO 12947-2 (Martindale) 100,000. Double rubs wyzenbeek (ASTM D4157) (Heavy Duty Upholstery) 100,000

Pilling: Scale 1-5 max. 5 · EN ISO 12945-2

Maintenance: Wash or dry cleaning. Flame retardant performance is dependent upon the foam used. Contain no Flame Retardant chemical.

Flammability: EN 1021 1&2 · BS 5852 0&1 · CA TB 117 - 2013

Will also pass other flammability standards.

40°C · Shrinkage max. 1,0%

60°C · Shrinkage max. 2,0%

TELA Spardling Valencia

Característiques tècniques:

Material: Vinyl / Urethane

Weight: 650 g/m2

Width: 137 cm · (53")

Abrasion resistance: >300.000 cycled (Martindale)

Pilling: Scale 1-5 max. 5 · EN ISO 12945 - 2

Maintenance: For light soiling, a solution of 10% household liquid dishsoap in warm water, applied with a soft damp cloth. Rinse with clean water and dry. Do not use with alcohol based cleaning agents.

Flammability: EN: 1021 1&2 · ES: UNE 23.727-90 1R/M.2 · FR: NF P 92-503/M2 DE: DIN 4102 B2 · AT: ÖNORM B 3825, Gruppe 1 - Schwerbrennbare IT: UNI 9175 (1987) / UNI 9175/FA1 (1994) Classe 1.IM (UNO I EMME) AT: ÖNORM A 3800 Teil 1, Qualmbildungsklasse Q1 - schwachqualmend IMO FTP 2010 Code MSC.307 (88) Part 8 3.1 & 3.2 · US: FMVSS 302 US: FAR 25/853 · ECE R118.02 (replaces Directive 95/28/CE) 6, 7 & 8 EN 71-2:2006+A1:2007 - Safety of Toys - Parte 2: Flammability

TELA Gabriel Step

Característiques tècniques:

Material: Trevira CS 100%

Weight: 470 g/lm · (15.16 oz/lin.yd.)

Width: 140 cm · (55")

Abrasion resistance: Rubs · EN ISO 12947-2 (Martindale) 100,000 Double rubs wyzenbeek (ASTM D4157-07) (Heavy duty upholstery) 100,000.

Pilling: Scale 1-5 max. 5 · EN ISO 12945 - 2

Maintenance: Wash or dry cleaning. Can be wiped with Virkon S, Actichlor Plus, Prime Source ren 93 or Ethanol (70-85%). Always follow the manufacturer's instruccions and finish by wiping with a damp cloth. 60°C · Shrinkage max. 3,0% / 74°C · Shrinkage max. 5,0%

Flammability: CA TB 117 - 2013 BS 7176 Mediu m Hazard. AM 18 - NF D 60-013-(only for fabric) · DIN 4102 B1 · NFP 92-503/504/505 M1. BS EN 1021 1&2 · BS 5852 Part 1 0,1 Cigarette & match · BS 5852 Crib 5. Class Uno UNI 9175 Class 1 | EMME · ÖNORM B 3825 - B1 - 3800 - Q1 UK. FAR/JAR 25.853 (a) (i) (ii) · IMO MSC 307(88) Anne x 1 part 8. MED Certificate IMO · DIN EN 13501 - 1 B-s1, d0. Will also pass other flammability standards. Flame retardant performance is dependent upon the foam used.

TELA Gabriel Step Melange

Característiques tècniques:

Material: Trevira CS 100%

Weight: 470 g/lm · (15.16 oz/lin.yd.)

Width: 140 cm · (55")

Abrasion resistance: Rubs · EN ISO 12947-2 (Martindale) 100,000 Double rubs wyzenbeek (ASTM D4157-07) (Heavy duty upholstery) 100,000.

Pilling: Scale 1-5 max. 5 · EN ISO 12945 - 2

Maintenance: Wash or dry cleaning. Can be wiped with Virkon S, Actichlor Plus, Prime Source ren 93 or Ethanol (70-85%). Always follow the manufacturer's instruccions and finish by wiping with a damp cloth. 60°C · Shrinkage max. 3,0% / 74°C · Shrinkage max. 5,0%

Flammability: CA TB 117 - 2013 BS 7176 Mediu m Hazard. AM 18 - NF D 60-013-(only for fabric) · DIN 4102 B1 · NFP 92-503/504/505 M1. BS EN 1021 1&2 · BS 5852 Part 1 0,1 Cigarette & match · BS 5852 Crib 5. Class Uno UNI 9175 Class 1 | EMME · ÖNORM B 3825 - B1 - 3800 - Q1 UK. FAR/JAR 25.853 (a) (i) (ii) · IMO MSC 307(88) Anne x 1 part 8. MED Certificate IMO · DIN EN 13501 - 1 B-s1, d0.

Will also pass other flammability standards. Flame retardant performance is dependent upon the foam used.

Fitxa tècnica

(4/4)

TELA Gabriel Capture

Característiques tècniques:

Material: New Zealand wool · polyamide 85% · 15%

Weight: 475 g/lm 3 (15.32 oz/lin.yd.)

Width: 140 cm · (55")

Abrasion resistance: Rubs · BS EN 14465 · BS EN ISO 12947 - 2 (Martindale) rubs 200,000. Martindale · ASTM D4966 - 02 (Heavy Duty Upholstery) 200,000

Pilling: Scale 1-5 max. 5 · EN ISO 12945 - 2

Maintenance: Dry cleaning

Flammability: EN 1021 1&2 · BS 5852 0&1 · CA TB 117 - 2013. Class

Uno UNI 9175 Class 1 | EMME

Will also pass other flammability standards. Flame retardant performance is dependent upon the foam used. Contain no Flame Retardant chemical.

TELA Kvadrat Remix 2

Característiques tècniques:

Material: New wool · Nylon 90% · 10%

Weight: 415 g/lm · (14.63 oz/lin.yd.)

Width: 138 cm · (54")

Abrasion resistance: Rubs · EN ISO 12947 (Martindale) 100.000

Pilling: Note 4, EN ISO 12945

Maintenance: Vacuuming and dry cleaning

Flammability: AS/NZS 1530.3 · BS 5852 Crib 5 with treatment · BS 5852 part 1. EN 1021-1/2 · IMO FTP Code 2010: Part 8 · NF D 60 013 · NFPA 260. Önorm B1/Q1 · UNI 9175 11M · US Cal. Bull. 117-2013.

No use of brominated flame retardants

TELA Kvadrat Divina Melange

Característiques tècniques:

Material: New wool 100%

Weight: 820 g/lin.m

Width: 150 cm · (59")

Abrasion resistance: Rubs · EN ISO 12947 (Martindale) 45.000

Pilling: Note 3, EN ISO 12945

Maintenance: Vacuuming and dry cleaning

Flammability: AS/NZS 1530.3, BS 5852 Crib 5, BS 5852 ignition source 3, BS 5852 part 1, BS 5867 part 2 type B, EN 1021-1/2, EN 13501, C-s1, d0, glued, NF D 60 013, NFPA 260, SN 198 898 5.3 with treatment *, UNI 9175 11M, US Cal. Bull. 117-2013, ÖNORM B1/Q1

TELA Kvadrat Steelcut Trio 3

Características técnicas:

Material: New wool · Nylon 90% · 10%

Weight: 770 g/lm · (27,16 oz/lin.yd.)

Width: 140 cm · (55")

Abrasion resistance: rubs · EN ISO 12947 (Martindale) 100.000

Pilling: Note 4, EN ISO 12945

Maintenance: Vacuuming and dry cleaning

Flammability: AS/NZS 1530.3 · AS/NZS 3837 class 2 · BS 5852 Crib 5 with treatment BS 5852 part 1 · DIN 4102 B2 · EN 1021-1/2 · IMO FTP Code 2010: Part 8 NF D 60 013 · NFPA 260 · Önorm B1/Q1 · SN 198 898 5.3 with treatment UNI 9175 11M · US Cal. Bull. 117-2013

No use of brominated flameretardants

MANTENIMENT

Netejar amb un drap humit i sabó suau. Aclarir i assecar amb un drap sec. Evitar productes abrasius.