

Technical specification
(1/3)

OM Basic

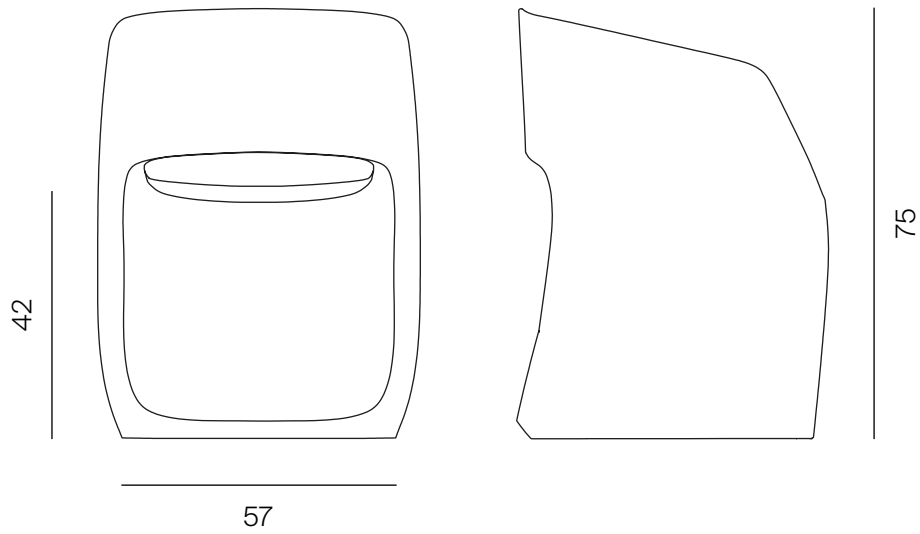
By Martín Azúa



Mobles114

Technical specification

(2/3)



*Unit of measurement: cm

PRODUCT

Units	Weight
1	6,5 kg

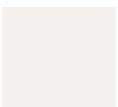
PACKAGING

Units	Weight	Measurement	Volume
1	11 kg	56x58x79 cm	0,25 m ³

All packaging materials are made of recyclable double cardboard.

MATERIALS AND FINISHES

Polyethylene



RAL 9003



RAL 7022

Technical specification

(3/3)

CERTIFICATIONS AND REGULATION

Flame retardancy: UNE EN 1021-1 y UNE EN 102-2

MATERIALS AND FINISHES

Barstool made 100% of polyethylene type ICORENE 3590, medium density, made via rotational moulding.

Two finishes as standard:

White RAL 9003

Grey RAL 7022

MAINTENANCE

Clean with a damp cloth with water and mild soap. Rinse and dry with a dry cloth. Avoid using abrasive products.