

# OXI bistrot

by JM Massana - JM Tremoleda

## Technical specifications (1/3)

**m114**

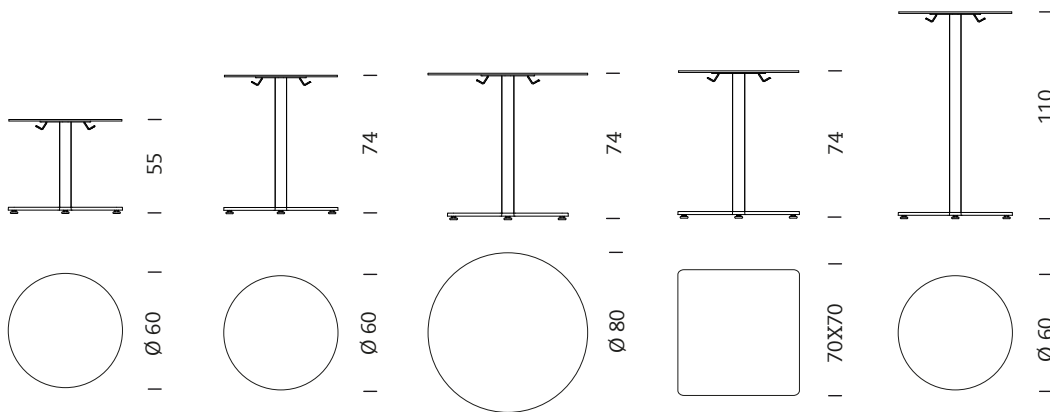
Mobles 114  
Pau Claris 99 / esc 2 1r 2a  
08009 Barcelona  
Tel. 34 / 932 600 114  
mobles114@mobles114.com  
www.mobles114.com



### GENERAL DESCRIPTION

Side table with central foot.

### DIMENSIONS



### MODELS

Available in 5 different models:

Table 55 cm high and table top  $\varnothing 60$  cm.

Table 74 cm high and table top  $\varnothing 60$  cm.

Table 74 cm high and table top  $\varnothing 80$  cm.

Table 74 cm high and table top 70x70 cm.

Table 110 cm high and table top  $\varnothing 60$  cm.

### MATERIALS AND FINISHES

#### Base and foot

Cross-shaped base, general dimensions 60x60 cm, 1.5 cm high, made from cast steel. Adjustors are screwed into each end to correct the tables for uneven floors. These are made from polyamide, are black and 40 mm in diameter. The centre of the base has specific housing for the central column.

# OXI bistrot

by JM Massana - JM Tremoleda

## Technical specifications (2/3)

**m114**

**Mobles 114**

Pau Claris 99 / esc 2 1r 2a

08009 Barcelona

Tel. 34 / 932 600 114

[mobles114@mobles114.com](mailto:mobles114@mobles114.com)

[www.mobles114.com](http://www.mobles114.com)

Central column made from steel tube 60 mm in diameter and 1.5 mm thick. Three different heights: 500, 680 and 990 mm.

A 4 mm thick, machine-tooled plate is welded to each end of the tube, with 3 holes to screw the tube to the base and the crown. An axle welded to the top plate helps to position the table top correctly.

The base and column are finished with a fusion bonded epoxy coating in white RAL 9002 or black RAL 9004, textured.

### Capital

Made of laser-cut steel plate, 5 mm thick, with different holes to fix the tube and the table top.

It has 2 rod hooks, 5 mm thick and welded to the plate, used to hang bags, backpacks and helmets.

### Table top

Made from 8 mm thick HPL, with a rounded edge, finished in black, white, oak or walnut. The underside is machined tooled to position and attach the crown with wood screws.

## PACKAGING, WEIGHT AND VOLUME

### Base and crown box

Weight: 6.5 kg

Dimensions: 48x49x12 cm

Volume: 0.02 m<sup>3</sup>

### Tube box

Weight 74 cm: 1.8 kg

Dimensions 74 cm: 13.5x13.5x77 cm

Volume 74 cm: 0.014 m<sup>3</sup>

Weight 110 cm: 2.6 kg

Dimensions 110 cm: 13.5x13.5x116 cm

Volume 110 cm: 0.02 m<sup>3</sup>

### Table top box

Weight 60 cm: 3 kg

Dimensions 60 cm: 69x69x6.5 cm

Volume 60 cm: 0.03 m<sup>3</sup>

Weight 70 cm: 3.5 kg

Dimensions 70 cm: 79x79x6.5 cm

Volume 70 cm: 0.04 m<sup>3</sup>

Weight 80 cm: 4 kg

Dimensions 80 cm: 89x89x6.5 cm

Volume 80 cm: 0.51 m<sup>3</sup>

All packaging is made from recyclable double layer cardboard.

## CERTIFICATES AND REGULATIONS

HPL: EN 438