

Technical specifications  
(1/3)

# Forc

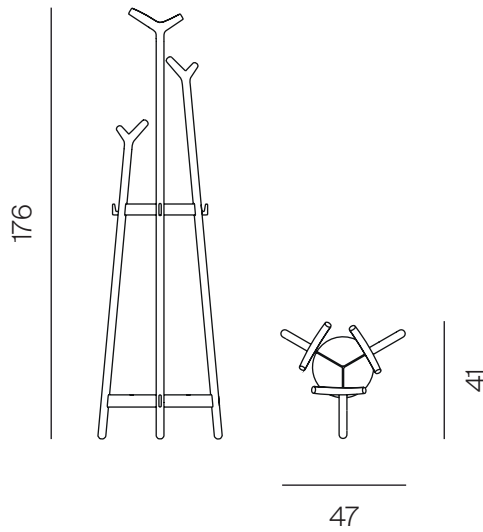
By Lagranja Design



**Mobles14**

# Technical specifications

(2/3)



\*Metric unit cm

## PRODUCT

Units	Weight
1	4,2 kg

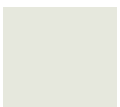
## PACKAGING

	Units	Weight	Dimensions	Volume
<b>Metal frame</b>	1	6,5 kg	55x55x11 cm	0,03 m <sup>3</sup>
<b>Coat hanger</b>	1	4,2 kg	215x49x40 cm	0,42 m <sup>3</sup>

All packaging is double recyclable cardboard.

## MATERIALS AND COLORS

### Metal frame



RAL 9002

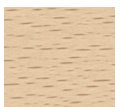


RAL 1019



RAL 7022

### Coat hanger



Beech



Oak

# Technical specifications

(3/3)

## MATERIALS AND FINISHES

### Metal frame

Two metal crosspieces made by 3 steel strips 5 mm thick, support the structure (or hanger).

The higher crosspiece, which also has hooks at the end, located at an optimal, practical height for children to hang their accessories.

The lower crosspiece has steel plate disk, 250 mm in diameter, made from 8 mm-thick sheet steel where bags can be placed.

All the elements are TIG welded.

The metal pieces have been finished in a textured epoxy powder coating, 80 microns thick, 30% matte, white colour RAL 9002 or grey anthracite RAL 7022. These pieces are joined to the wooden pegs using injected pieces in white or grey polyamide and a stainless steel M5X12 Allen bolt.

### Coat hanger

Made up of three turned poles, 32 mm in diameter of three different heights: 176 cm, 157 cm, i 130 cm.

Finished with a CNC machine-tooled piece in the form of a "v", overall measurements 225x125 mm.

This shape permits to optimize the capacity of the coat stand making it more comfortable for users. Its rounded, smooth shape minimises any distortion in garments when they are hung on the stand. All these elements are made from solid beech, finished with water-based varnish.

## MAINTENANCE

Clean with a damp cloth with mild soap and water. Rinse and dry with a dry cloth. Avoid using abrasive products.