

TUBE stool

by Eugeni Quitllet

Technical specifications (1/2)

m114

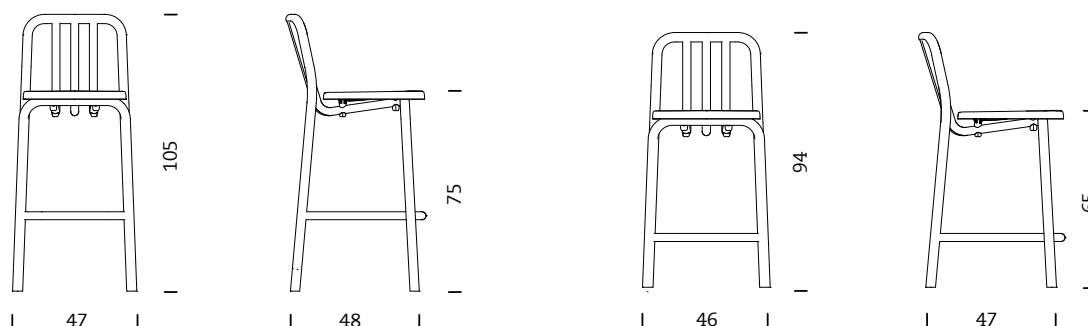
Mobles 114
Pau Claris 99 / esc 2 1r 2a
08009 Barcelona
Tel. 34 / 932 600 114
mobles114@mobles114.com
www.mobles114.com



GENERAL DESCRIPTION

Hard-wearing product, suitable for restaurants/catering projects, general use and home, both for indoor and outdoor use.

DIMENSIONS



MODELS

Stool 75 cm high
Stool 65 cm high

MATERIALS AND FINISHES

Available in 6 finishes: white RAL 9002, blue grey RAL 7031, black RAL 8022, chestnut brown 8015, olive grey RAL 7002, and grey anthracite RAL 7022.

Structure

The structure is made up with 5 components.

Front legs and back structure are made with 35x2,5 mm diameter aluminium tube. The 3 cross aluminium tubes have a diameter of 30x2 mm.

The whole set is welded with continuous TIG thread, thus achieving a great mechanic resistance.

TUBE stool

by Eugeni Quitllet

Technical specifications (2/2)

m114

Mobles 114
Pau Claris 99 / esc 2 1r 2a
08009 Barcelona
Tel. 34 / 932 600 114
mobles114@mobles114.com
www.mobles114.com

The 4 support legs are protected with black plastic caps.
All metallic components are coated with epoxy powder 80 micron, 30% matt textured.

Seat

The seat is made of injected polypropylene. It is fixed to the structure with 4 polyamide and elastomeric caps by means of M6x33 mm screws, which are screwed to some brass inserts already placed during the injection process of the seat.

UV filters for outdoor application.

PACKAGING, WEIGHT AND VOLUME

The stool is supplied mounted on a single box.

Stool 75cm high

Product weight: 9.2 kg

Size: 51x58x109 cm

Volume: 0.332 m³

Stool 65 cm high

Weight: 8.7 kg

Dimensions: 48x58x99 cm

Volume: 0.276 m³

All packaging is made of double cardboard box, 100% recyclable.

CERTIFICATIONS AND STANDARDS

Certification UNE EN 1021-1:06 and UNE EN 1021-2:06 Flame retardancy. In process.

Certification UNE-EN 16139:2013 Public use. In process.

FAMILY

