

GRÀCIA stool

by JM Massana - JM Tremoleda

Technical specifications (1/3)

m114

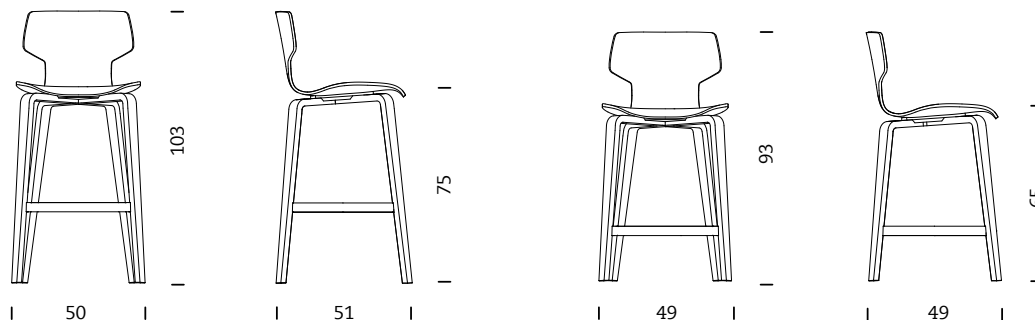
Mobles 114
Pau Claris 99 / esc 2 1r 2a
08009 Barcelona
Tel. 34 / 932 600 114
mobles114@mobles114.com
www.mobles114.com



GENERAL DESCRIPTION

Stool with plywood body suitable hospitality, contract, kitchen areas or home.

DIMENSIONS



MODELS

75 cm stool

65 cm stool

75 cm stool with cushion

65 cm stool with cushion

MATERIALS AND FINISHES

Frame

Structure made up of 2 curved wood pieces, 22 mm thick and 45 mm wide. The inside of the structure is made up of 16 beech plies, 1.2 mm thick. The outer veneers are made of oak or walnut, 0.6 mm.

GRÀCIA stool

by JM Massana - JM Tremoleda

Technical specifications (2/3)

m114

Mobles 114

Pau Claris 99 / esc 2 1r 2a

08009 Barcelona

Tel. 34 / 932 600 114

mobles114@mobles114.com

www.mobles114.com

The 2 structures are overlapped to ensure perfect positioning.

A solid beech disk, 220 mm in diameter and 24 mm thick, finished in oak or walnut, is machine-tooled so that the legs can be attached.

The seat is glued into this disk and has been especially designed for a tight fit.

The 4 supports on the ground are protected by plastic or felt ferrules.

The foot rest is made from steel plate, 35x4 mm. The shape is achieved by folding and twisting the material. The 4 legs are attached using Allen screws M6X16. Finished with epoxy paint powder 80 micron, 30% matt, micro-textured dark grey RAL 7022.

Seat

Body made from curved plywood, comprising 8 beech plies, 1.2 mm thick on the inside and 2 oak or walnut veneers, 0.6 mm thick on the outside, all superimposed and glued together to make a plywood 12 mm thick in total.

Wood with certificate PEFC 10-34-142.

The whole chair is finished with a transparent water-based varnish.

ACCESSORIES

Cushion

A cushion is optional, made from injected polyurethane (PUR) foam and available in different colours: RAL 7022, RAL 9002, RAL 6003 and RAL 2001

This piece is attached to the seat with cyanoacrylate adhesive to ensure it's correctly positioned.

PACKAGING, WEIGHT AND VOLUME

The stool is supplied mounted on a single box.

75 cm stool

Weight: 7 kg

Dimensions: 54x54x107 cm

Volume: 0.31 m³

65 cm stool

Weight: 6.5 kg

Dimensions: 51x51x96 cm

Volume: 0.25 m³

All packaging is made of double cardboard box, 100% recyclable.

GRÀCIA stool

by JM Massana - JM Tremoleda

Technical specifications (3/3)

m114

Mobles 114
Pau Claris 99 / esc 2 1r 2a
08009 Barcelona
Tel. 34 / 932 600 114
mobles114@mobles114.com
www.mobles114.com

CERTIFICATES AND REGULATIONS

UNE EN 1021-1:06 and UNE EN 1021-2:06 flame retardancy. In process

UNE-EN 16139:2013 public use. In process

Forest Stewardship Council (FSC)

FAMILY

